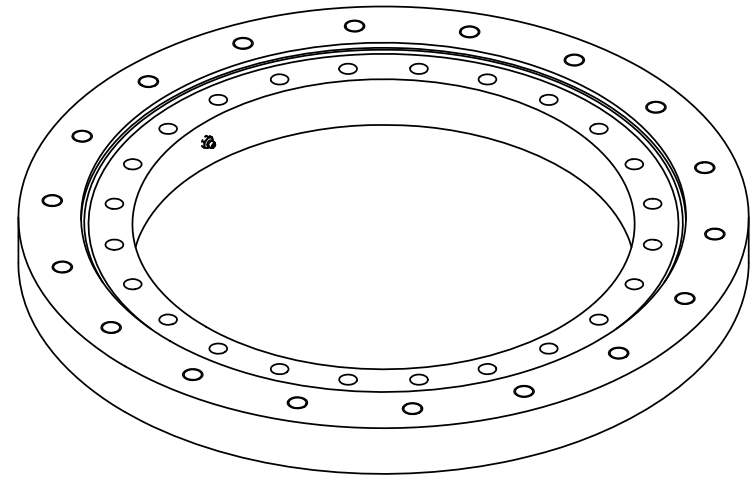
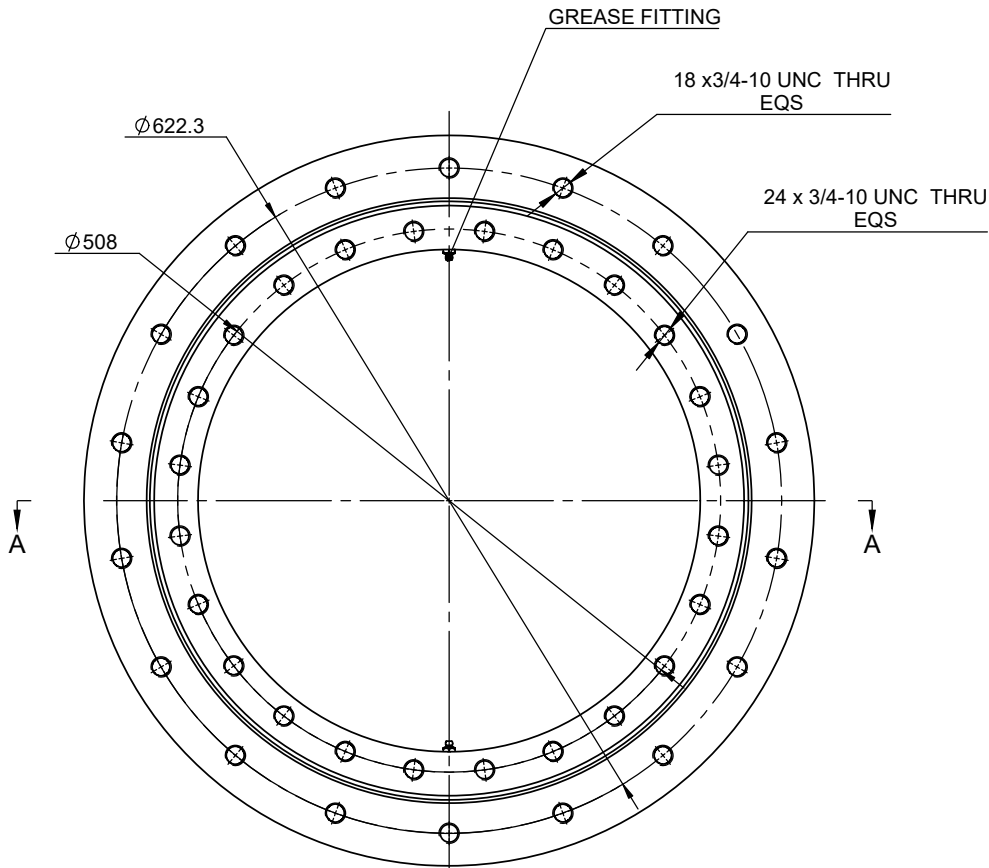
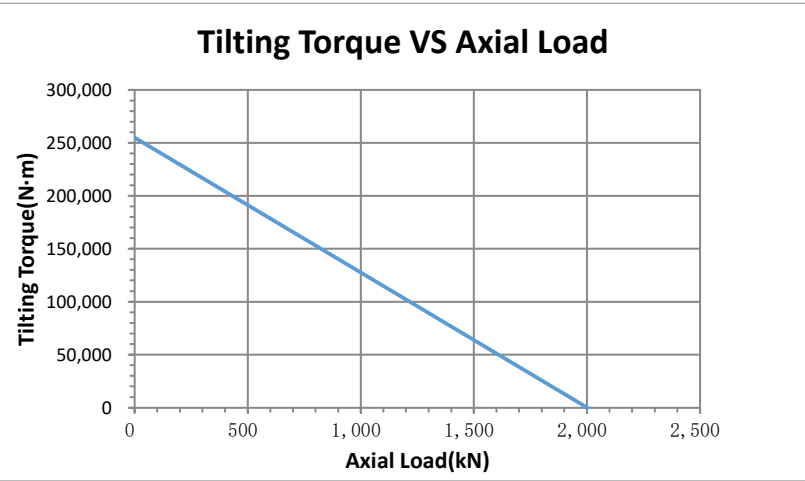
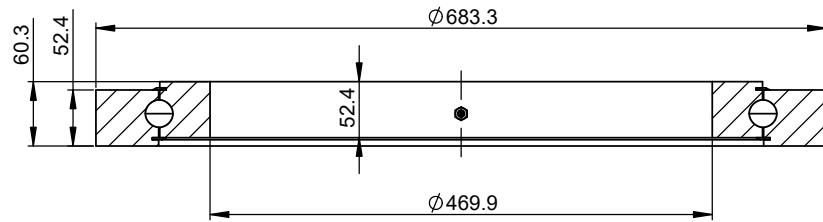


VIEW A-A



On the dimensions with parenthesis:

- 1) These are for reference only.
- 2) This is a preliminary dimension and may vary in the actual product.
- 3) If this dimension is important to the application, please communicate this back to KMI.

| | | | | | |
|--|------|------------|--|-------|---------------------|
| DESIGNED BY | C F | 2020/11/18 | KMI GROUP www.kinematicsmfg.com | | |
| CHECKED BY | JXY | 2020/11/18 | | | |
| APPROVED BY | WMS | 2020/11/18 | | | |
| ALL PROPRIETARY RIGHTS IN THE SUBJECT MATTER HEREOF ARE RESERVED, AND NO PERMISSION IS GRANTED TO REPRODUCE THIS PRINT IN WHOLE OR IN PART, OR TO DISCLOSE ANY OF THE INFORMATION TO OTHERS. | | | WEIGHT | SCALE | SLEWING RING |
| | | | 68.09 Kg | 1:5 | |
| SYMBOL ISO | SIZE | A3 | SHEET | 1/3 | KT-470T |
| | | | THE TOLERANCE NOT MENTIONED IS REFERRED TO ISO 2768-VL CASTING TOLERANCE ISO 8062-CT10 | | |
| | | | | | A |