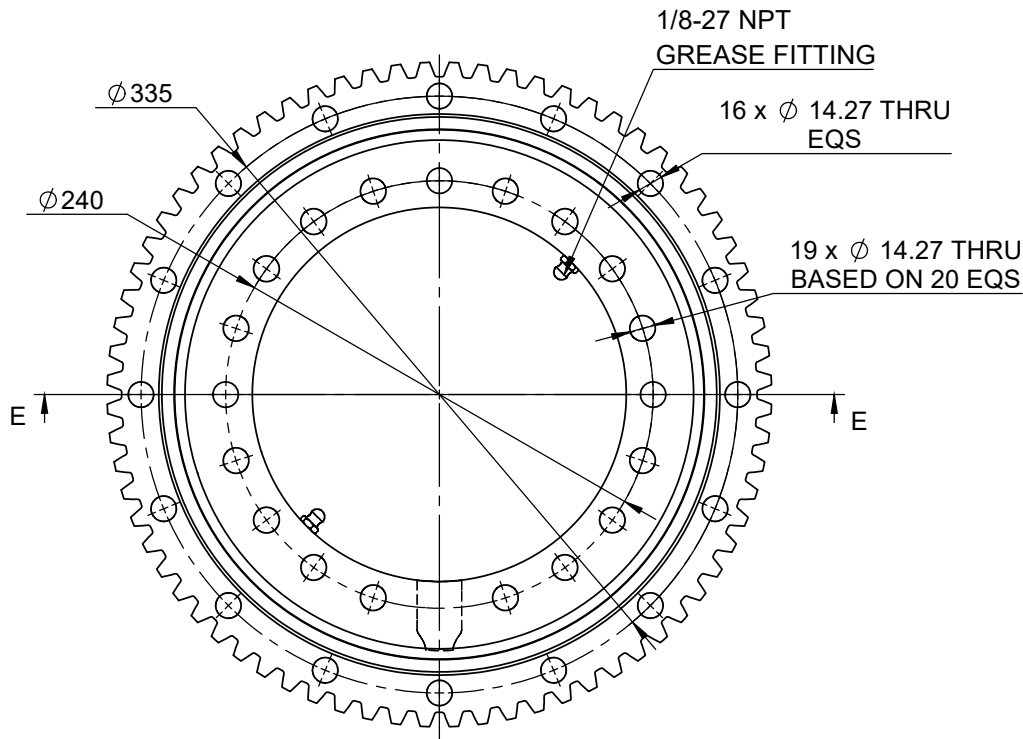
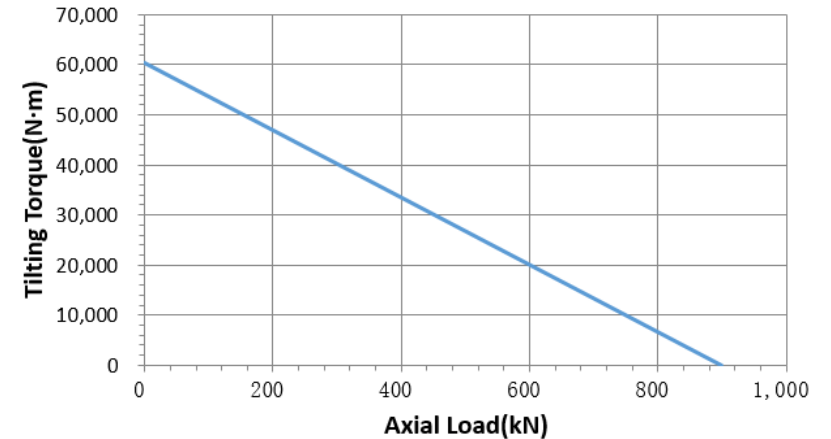


| Gear data           |            |                       |                                             |         |                        |
|---------------------|------------|-----------------------|---------------------------------------------|---------|------------------------|
| Module              | $m_n$      | 5.08                  | Addendum                                    | $h_a$   | 3.63                   |
| No. of teeth        | $z$        | 72                    | Tooth height                                | $h$     | 8.17                   |
| Pressure angle      | $\alpha_n$ | 20°                   | Modification coefficient                    | $x_n$   | 0                      |
| Helix angle         |            | 0°                    | Helix position                              |         | -                      |
| common normal line  |            | $W \frac{Ebms}{Ebmi}$ | 117.599 <sup>-0.117</sup> <sub>-0.233</sub> |         | Cross-tooth No.<br>k 8 |
| Radial run-out      |            |                       | $F_y$                                       | ≤0.45   |                        |
| Max gear tooth load |            |                       | $F_z$                                       | 25850 N |                        |



### Tilting Torque VS Axial Load



On the dimensions with parenthesis:

- 1) These are for reference only.
- 2) This is a preliminary dimension and may vary in the actual product.
- 3) If this dimension is important to the application, please communicate this back to KMI.

|             |     |            |
|-------------|-----|------------|
| DESIGNED BY | JXY | 2020/11/20 |
| CHECKED BY  | C F | 2020/11/20 |
| APPROVED BY | WMS | 2020/11/20 |

**KMI GROUP**  
[www.kinematicsmfg.com](http://www.kinematicsmfg.com)

|                                                                                                                                                                                              |           |       |
|----------------------------------------------------------------------------------------------------------------------------------------------------------------------------------------------|-----------|-------|
| ALL PROPRIETARY RIGHTS IN THE SUBJECT MATTER HEREOF ARE RESERVED, AND NO PERMISSION IS GRANTED TO REPRODUCE THIS PRINT IN WHOLE OR IN PART, OR TO DISCLOSE ANY OF THE INFORMATION TO OTHERS. | WEIGHT    | SCALE |
|                                                                                                                                                                                              | 17.439 Kg | 1:6   |

### Slewing Ring

|            |                                                                                       |    |       |     |
|------------|---------------------------------------------------------------------------------------|----|-------|-----|
| SYMBOL ISO | SIZE                                                                                  | A3 | SHEET | 1/2 |
|            | THE TOLERANCE NOT MENTIONED IS REFERRED TO ISO2786-VL CASTING TOLERANCE ISO 8062-CT10 |    |       |     |

KTE-210

REV  
A