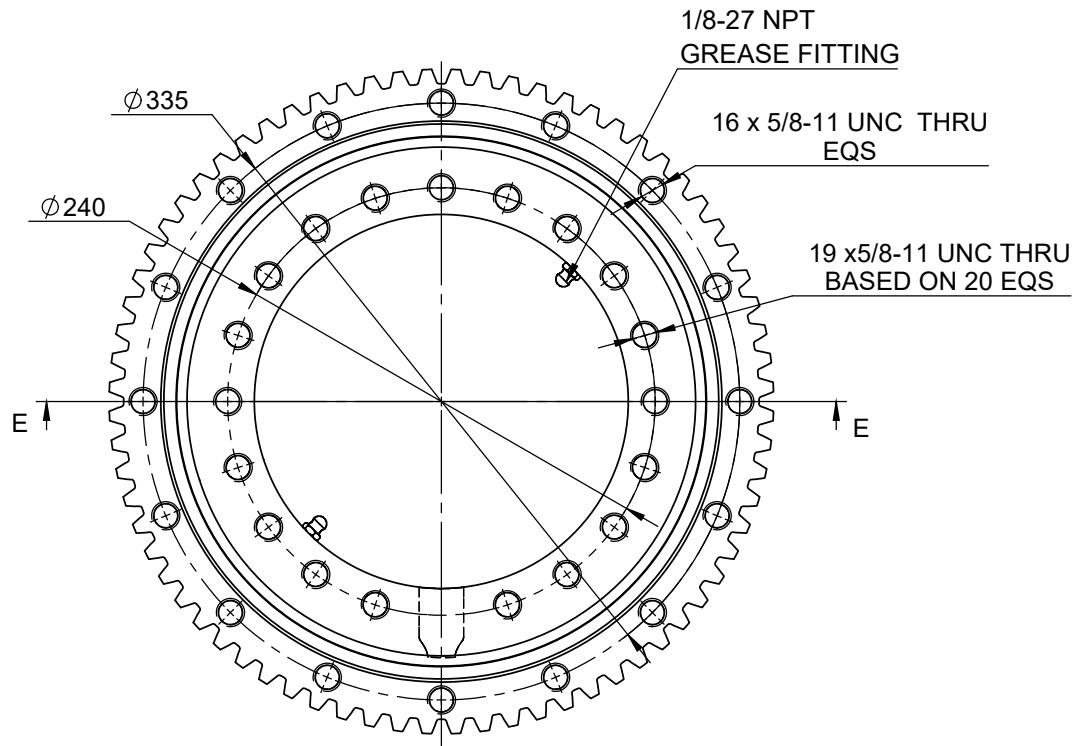
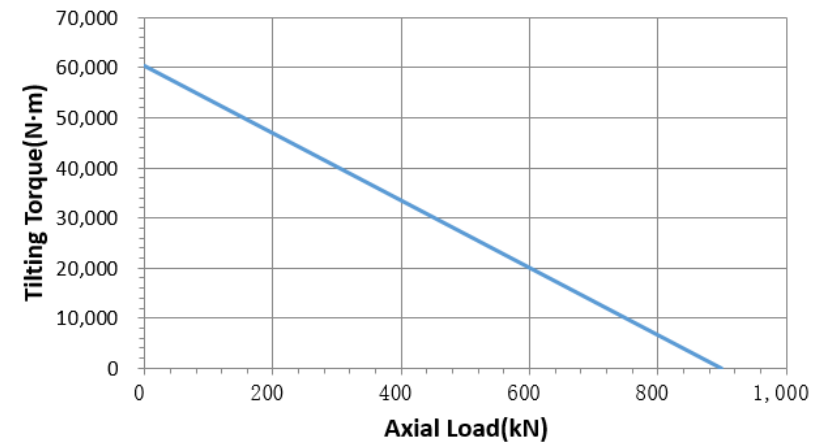


Gear data					
Module	m_n	5.08	Addendum	h_a	3.63
No. of teeth	z	72	Tooth height	h	8.17
Pressure angle	α_n	20°	Modification coefficient	x_n	0
Helix angle		0°	Helix position		-
common normal line	$W = \frac{Ebms}{Ebmi}$	$117.599_{-0.233}^{-0.117}$	Cross-tooth No.		
			k		8
Radial run-out		F_v			≤0.45
Max gear tooth load		F_z			25850 N



Tilting Torque VS Axial Load



On the dimensions with parenthesis:

- 1) These are for reference only.
- 2) This is a preliminary dimension and may vary in the actual product.
- 3) If this dimension is important to the application, please communicate this back to KMI.

DESIGNED BY	JXY	2020/11/20
CHECKED BY	C F	2020/11/20
APPROVED BY	WMS	2020/11/20

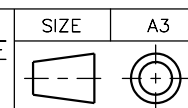
KMI GROUP
www.kinematicsmfg.com

ALL PROPRIETARY RIGHTS IN THE SUBJECT MATTER HEREOF ARE RESERVED, AND NO PERMISSION IS GRANTED TO REPRODUCE THIS PRINT IN WHOLE OR IN PART, OR TO DISCLOSE ANY OF THE INFORMATION TO OTHERS.

WEIGHT	SCALE
17.616 Kg	1:6

Slewing Ring

SYMBOL ISO



THE TOLERANCE NOT MENTIONED IS REFERRED TO ISO2786-VL CASTING TOLERANCE ISO 8062-CT10

SHEET	1/2	KTE-210T	REV
			A