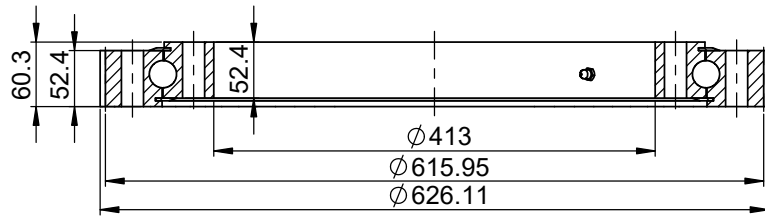
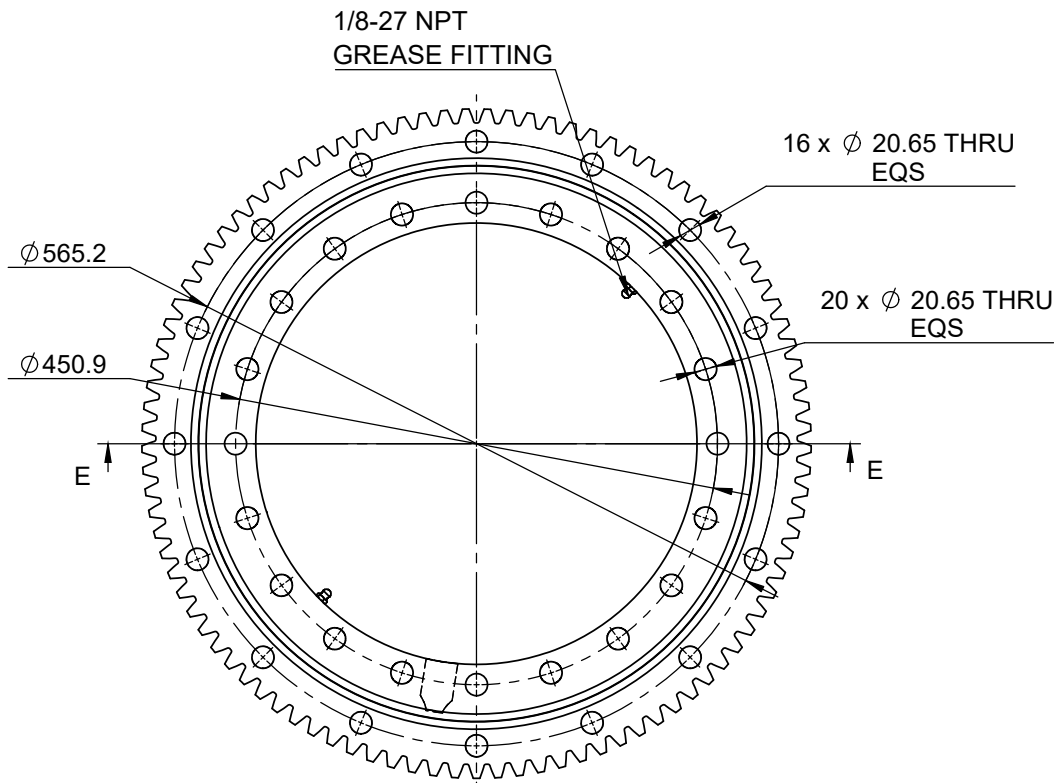
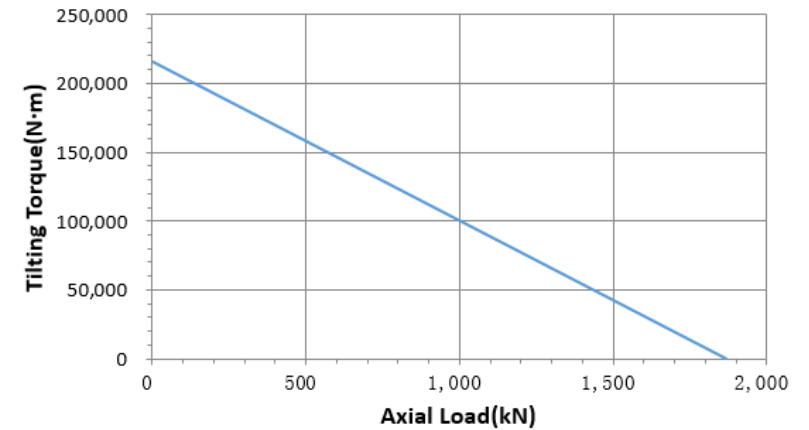


VIEW E-E



Gear data					
Module	$m_n$	6.35	Addendum	$h_a$	5.08
No. of teeth	$z$	97	Tooth height	$h$	11.43
Pressure angle	$\alpha_n$	20°	Modification coefficient	$x_n$	0
Helix angle		0°	Helix position		-
common normal line		$W \frac{Ebms}{Ebmi}$	205.46 <sup>-0.143</sup> <sub>-0.286</sub>	Cross-tooth No.	
				$k$	11
Radial run-out			$F_v$	≤0.50	
Max gear tooth load			$F_z$	46361 N	

Tilting Torque VS Axial Load



On the dimensions with parenthesis:

- 1) These are for reference only.
- 2) This is a preliminary dimension and may vary in the actual product.
- 3) If this dimension is important to the application, please communicate this back to KMI.

DESIGNED BY	JXY	2020/11/25
CHECKED BY	C F	2020/11/25
APPROVED BY	WMS	2020/11/25

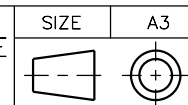
**KMI GROUP**  
www.kinematicsmfg.com

ALL PROPRIETARY RIGHTS IN THE SUBJECT MATTER HEREOF ARE RESERVED, AND NO PERMISSION IS GRANTED TO REPRODUCE THIS PRINT IN WHOLE OR IN PART, OR TO DISCLOSE ANY OF THE INFORMATION TO OTHERS.

WEIGHT	SCALE
54.700 Kg	1:6

**Slewing Ring**

SYMBOL ISO



SHEET 1/2  
THE TOLERANCE NOT MENTIONED IS REFERRED TO ISO2786-VL CASTING TOLERANCE ISO 8062-CT10

KTE-415

REV  
A